



BinTrac®

Bin Weighing Module

Load cell with patented mounting bracket

BinTrac Features:

- ▶ Easy installation on existing and loaded bins using patented load cell bracket assembly
- ▶ One-year warranty covers lightning damage to load cells - extended warranty available
- ▶ The bracket does the lifting
- ▶ No field calibration required
- ▶ Temperature compensated



Accurate and Reliable Feed Bin Scale

Stores and displays:

- Current inventory by bin
- 24-hour feed use for past 4 days
- Last 4 feed delivery weights for each bin



Digital Summing Box

- ▶ Minimizes load cell cabling
- ▶ Protects load cell from power surges and lightning
- ▶ Simplifies troubleshooting



BinTrac Indicator

- ▶ Numerical weight display
- ▶ Up to 4 bins per indicator
- ▶ Locate up to 250 ft. from bin
- ▶ Low voltage electronics

Patented Bin Mounting Brackets

Installation can be completed without emptying existing bins.

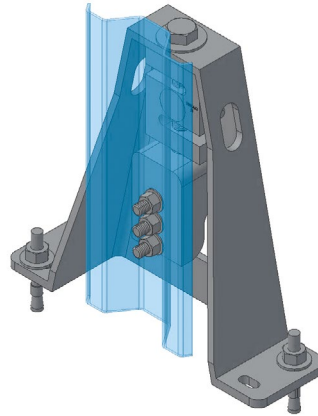


Brackets are secured to the bin leg and concrete pad. A few turns of the lifting bolt raises the bin and transfers the weight to the load cell.

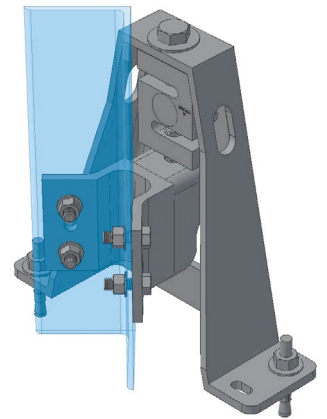
Mounting Adapters

Adapters are available for different leg styles, providing easy installation on most bins. Typical mounting adapters are shown below. Contact BinTrac for additional options.

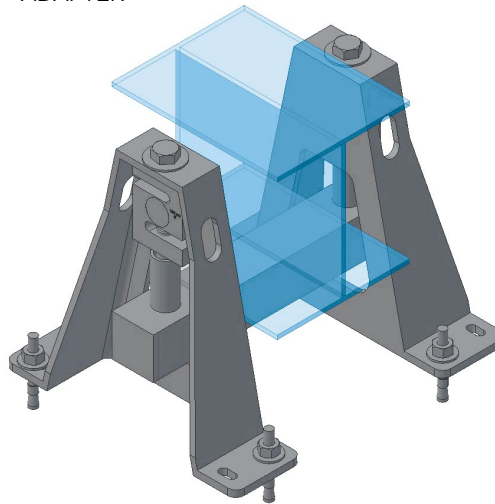
STANDARD LEG ADAPTER



ANGLE IRON LEG ADAPTER



I-BEAM ADAPTER



TUBE LEG ADAPTER

