



## High Capacity Compression Canister Load Cell

- ▶ Low profile, high accuracy
- ▶ No field calibration required
- ▶ High capacity (up to 60,000 lbs.)
- ▶ Lightning warranty
- ▶ Easily upgrade existing canister systems to the quality, accuracy and reliability of BinTrac

### Specifications

<b>Full Scale Output</b>	3.0 +/- 0.1% at 60,000 lb (30000 kg)
<b>Zero Balance</b>	+/- 2% of rated output
<b>Operating Temperature</b>	-40° to 150° F (-40° to 65° C)
<b>Temp Compensated Range</b>	14° to 104° F (-10° to +40° C)
<b>Material</b>	Stainless Steel
<b>Cable length</b>	30 ft w/ 5 pin HS connector
<b>Warranty</b>	1 year
<b>Seal Type</b>	IP69 (Hermetically Sealed)



## BinTrac System

- ▶ Feed bin weighing system includes: load cells, summing box and BinTrac indicator
- ▶ Current inventory by bin
- ▶ 24-hour feed for past 4 days
- ▶ Last 4 feed delivery weights for each bin
- ▶ Up to 4 bins per indicator

## Load Cell

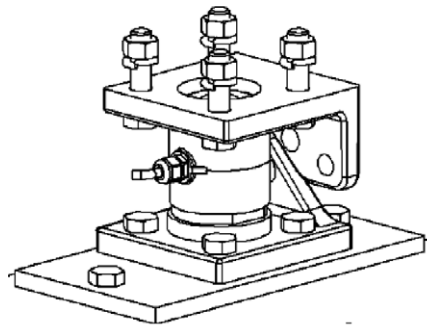
BinTrac Compression Canister Type Load Cells are configured to operate in compression, offering a very compact package. The BinTrac design is temperature compensated, zeroed and hermetically sealed (not just potted). Traditional canisters or canister style load cells are inferior and suffer from temperature variation, moisture and lightning damage associated with field installations.

## Electronics Upgrade

The BinTrac Compression Canister module works with our standard BinTrac electronics package to upgrade existing feed tank applications without modification to the structure or installation brackets. Our canister style load cell is a drop in replacement that allows you to upgrade your existing system to the quality, accuracy and reliability of BinTrac.

## Mounting Adapters

Adapters are available for different leg styles, providing easy installation on most bins. Contact BinTrac for available options.



## Bin Weighing Module Dimensions

