



## HerdStar® Releases BinTrac® BT260 Bin Level Indicator with LARGE DIGITS



It's plain to see why the NEW BT260 Indicator surpasses industry expectations. The BT260 features large .56 in LED digits – nearly twice the size of standard display – for ease of readability. A graphic visual of the bin provides a quick read of the bin level.

Every BinTrac Indicator stores and displays current inventory for up to 4 bins, monitors 24-hour feed use for the past 4 days and keeps the last 4 feed delivery weights for each bin. Complete the system with BinTrac patented load cell assemblies for easy installation on existing or loaded bins.

### Supports Optional BinTrac® Vision – Cloud Based Remote Monitoring

Cloud based Technology advances and state of the art electronics enhance the data communication between the BT260 indicators and the Cellular LTE or Internet Gateway to our web-based BinTrac® VISION remote monitoring option.

For more information visit our website

[www.BinTrac.com](http://www.BinTrac.com)

call 877-BINTRAC



## Patented Bin Mounting Brackets

Installation can be completed without emptying existing bins.

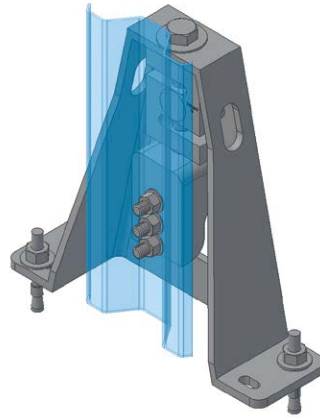


Brackets are secured to the bin leg and concrete pad. A few turns of the lifting bolt raises the bin and transfers the weight to the load cell.

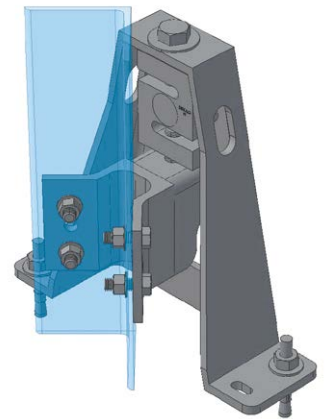
## Mounting Adapters

Adapters are available for different leg styles, providing easy installation on most bins. Typical mounting adapters are shown below. Contact BinTrac for additional options.

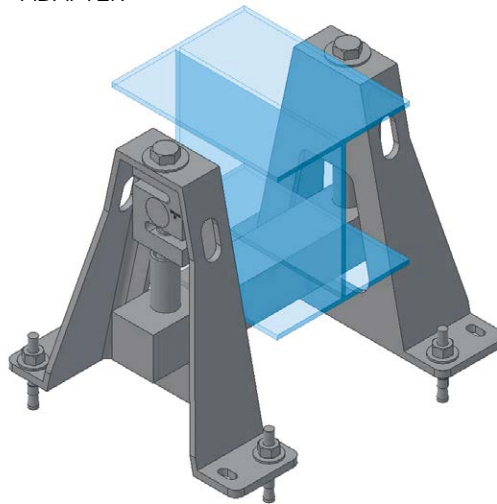
*STANDARD LEG ADAPTER*



*ANGLE IRON LEG ADAPTER*



*I-BEAM ADAPTER*



*TUBE LEG ADAPTER*

